

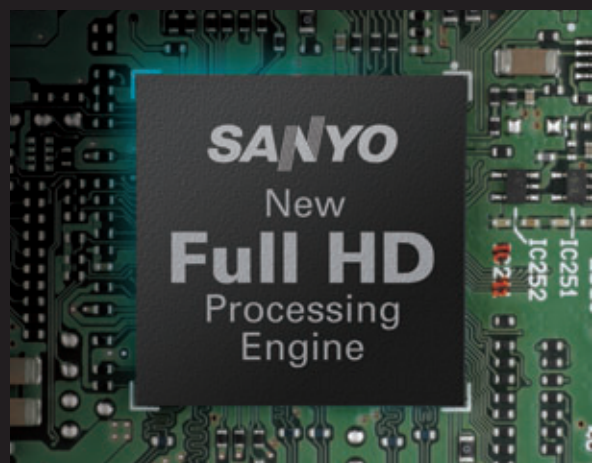
# Think GAIA

For Life and the Earth

# SANYO

## Full HD Vandal-Resistant Dome Camera Series

VDC-HD3100P  
VDC-HD3300P  
VDC-HD3500P



## SANYO, the first choice for Full HD

- Built-in megapixel-rated Vari-Focal Lens (3 - 9mm)
- IP66-rated Vandal-Resistant Discreet Low-Profile Design
- 1080p Full HD, 25 ips Full Framerate with H.264
- 4-megapixel (2288 x 1712) resolution with MJPEG
- Exclusive Xacti HD-Pro Engine (HD3500P) and Optimum IP-Pro Engine
- Quad-Stream (HD3500P), Dual-Stream (HD3100P/HD3300P)
- Focus Assist Drive
- Video Analytics \*1
- Edge Recording on SD Memory Card \*2
- Bidirectional Audio \*1
- Universal Power Input PoE, 24VAC and 12VDC

\*1 Only for VDC-HD3500P

\*2 Only for alarm/Back-up REC. VDC-HD3500P (The use Sanyo-recommended SD card)

**FULL HD**  
1920 x 1080



**VDC-HD3100P**  
Dual-Stream Color  
Vandal-Resistant Dome

**VDC-HD3300P**  
Dual-Stream Day/Night  
Vandal-Resistant Dome

**DAY NIGHT**

**VDC-HD3500P**  
Quad-Stream Day/Night  
Vandal-Resistant Dome

**DAY NIGHT**

**Technical Specifications**

**Camera**

Model No.	VDC-HD3500P	VDC-HD3300P	VDC-HD3100P
Image sensor	1/3" Progressive Scan CMOS		
Number of pixels	Effective 16:9 1920 (H) x 1080 (V) 4:3 2288(H) x 1712(V)		
Minimum illumination (approx.)	Color 1.0 lux (F1.2, GAIN HIGH), B/W 0.1 lux (F1.2, GAIN HIGH)   Color 1.0 lux (F1.2, GAIN HIGH)		
Video S/N ratio	More than 50 dB (AGC off)		
Lens	Built-in vari-focal lens f=3 to 9mm, F1.2 to 2.1		
Electronic focus adjustment	With focus assist		
Backlight compensation	Multi/Center/Face/Off, Mask settings possible	Multi/Center/Off, Mask settings possible	
White balance	ATW/AWC/MWB/Outdoor/Indoor/Fluorescent Adjustable R and B signals in MWB mode		
AGC	Normal/Middle/High/Off Adjustable, gain control in Off mode		
Electronic shutter	1/25, 1/50, 1/120, 1/250, 1/500, 1/1000, 1/2000, 1/4000, 1/10000 Long shutter : x1, x2, x4, x8, x16, x32		
Auto iris control	DC type		
Gamma	0.45/1/Mode1/Mode2		
Aperture compensation	On/Off		
Day/Night	True Day/Night		—
DNR	3D		
Title	16 Characters		
Motion detection	Yes, Video analytics		Yes
Face detection	Yes		—
Privacy mask	On/Off		

**Network**

Image compression	MJPEG / H.264		
Resolution	H.264	<16:9> 1920x1080 / 1280x720 / 640x360 / 320x180 <4:3> 1600x1200 / 1280x960 / 1024 x 768 / 640x480 / 320x240	
	MJPEG	<16:9> 1920x1080 / 1280x720 / 1024x576 / 640x360 <4:3> 2288x1712 / 1600x1200 / 1280x960 / 1024x768 / 800x600 / 640x480 / 320x240	
Picture quality	Quality: (BASIC, NORMAL, ENHANCED, FINE, SUPER FINE) Bitrate: Chageable		
Frame rate	Max. 25 ips (1920x1080)		
Streaming number	4		2
Video streaming	Multi stream H.264 and MJPEG (Max 1920x1080 25ips)		
Audio compression method	G.711, Bidirectional (Full duplex)		—
Protocol	TCP/IP, UDP, HTTP, HTTPS, SMTP, NTP, DHCP, FTP, DDNS, RTP, RTSP		
Simultaneous access capacity	Max. 20		
Security	BASIC authentication (ID/password), SSL supported (Only JPEG), IP filtering		

**Interface**

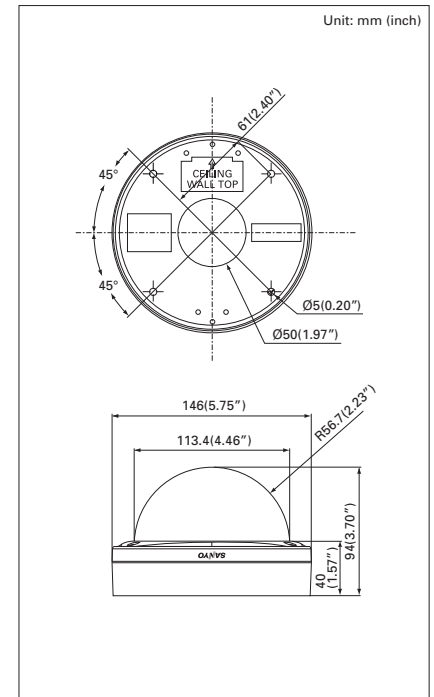
Monitor output	Composite out (for adjustment only)		
SD memory card slot	1(SDHC)		—
Network port	10BASE-T/100BASE-TX (RJ45 connector)		
Alarm input/output		2/2	
Audio input/output	Mic in/Line out (3.5 Φmini jack)		—

**General**

Environmental conditions	Operating	Temperature: -10 to +50°C Humidity: within 90% RH	
	Storage	Temperature: -20 to +70°C Humidity: within 70% RH	
Power supply	24V AC ±10%, 50 Hz/ 12 - 15V DC, PoE (IEEE802.3af)		
Power consumption (approx.)	6.8w (with Heater 20w)		4.6w (with Heater 18w)
Dimensions (approx.) (Dia. x H)	Φ146 x 94mm		
Weight (approx.)	800g		770g

\*Specifications, design and availability are subject to change without notice.

**Dimensions**



**Caution:** Please consult the instruction manual to ensure safe and proper operation of the product.



Digital System Company of SANYO Electric Co., Ltd. obtained Quality Management System ISO9001 and Environmental Management System ISO14001 certifications.

Distributed by:



**SANYO Electric Co., Ltd.**  
 Digital System Company  
<http://www.sanyosecurity.com>